



## ROTARY VALVE

Our range of DCSR Rotary Valves has been designed for Pneumatic Conveying and Metering the products in powder, granular and pellet form.

A wide range of Rotary Valves are available for use in Dairy, Food, Pet Food, Pharmaceutical and other dry bulk material.

Rotary Valves come with easy detachable Rotor and End Cover to perform quick cleaning.

The **Rotary Valve** is available in different sizes from 150 - 350 mm.

### FEATURES :

- Good throat opening and angle ensures maximum filling efficiency
- Reduced air leakage
- ATEX rated
- 10 bar pressure shock resistance
- USDA approval
- EHEDG approval
- Construction in Stainless Steel 316
- Supporting slide rails for easy removal of rotor and end cover
- Hygienic valve
- Increased safety at work
- Product contact surfaces are polished to 0.8  $\mu\text{m}$  (150 grit) finish

### OPTIONS :

- Chain & Direct Drives
- Air Purge Dairy
- No Speed Sensor
- Rotor Interference Sensor (RIS)
- High Temperature
- SAS Seals
- Product Contact Surface
- Polished to 0.4  $\mu\text{m}$

### DESIGN :

- Sizes from 150 to 350 mm
- DIN /ANSI /JIS drilling patterns
- Operating temperature up to 150 deg C. High temperature on request
- Designed for Lean Phase Conveying

### APPLICATION :

- ❖ Pressure
- ❖ Vacuum
- ❖ Gravity Feeding and Metering

## PRODUCT DETAILS

Our Dairy Rotary Valves are supplied in Stainless Steel 316 material.

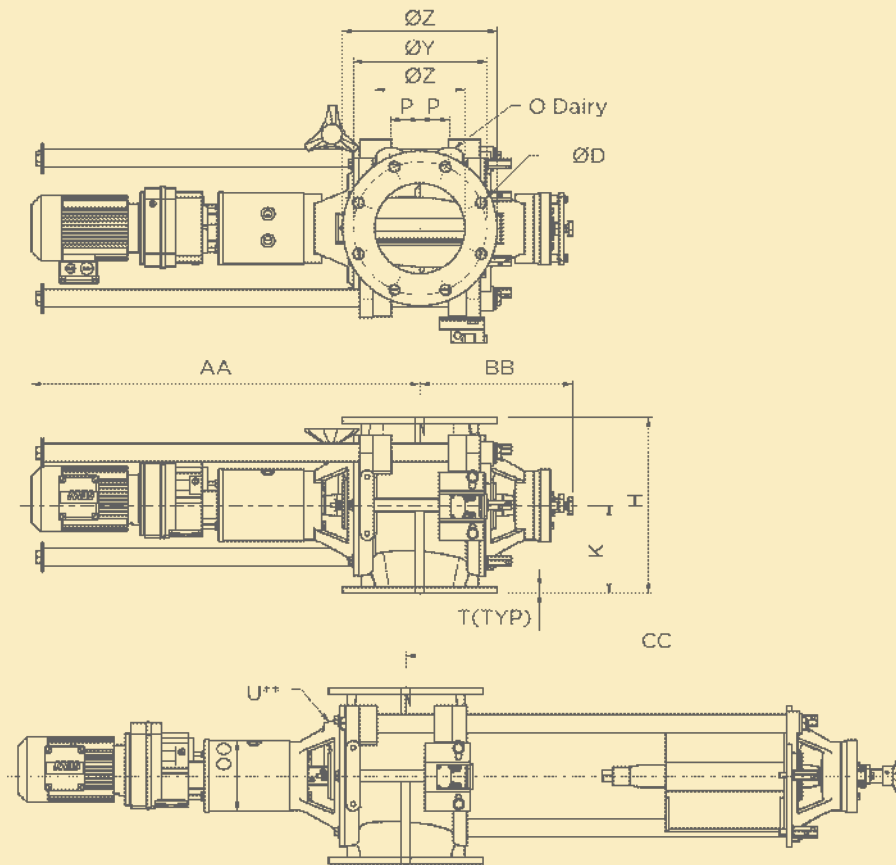
The standard Rotary Valve has fixed 8 bladed rotor with radiused pockets.

We Provide different kinds of shaft sealing depending upon the product and application.

The **Rotary Valve** is supplied with optional features like pressure regulator, flow meter, inlet restrictor and pick up shoes if required for the application.

# Rotary Valve

# DT-DCSR



Type DT	Swept Volume	DIN			ANSI #150			H	K	P	T	U** (BSP)	O(UNEF)	AA	BB
	in M <sup>3</sup>	$\varnothing X$	$\varnothing Y$	$\varnothing D$	$\varnothing Z$	$\varnothing Y$	$\varnothing D$								
150	0.003	150	240	8x $\varnothing 23$	285	241.3	8x $\varnothing 22.2$	280	140	40	12	1/4"( $\varnothing 10$ )	1 1/8"	717	275
175	0.006	175	270	8x $\varnothing 23$	315	-	-	330	165	53	14	1/4"( $\varnothing 10$ )	1 1/8"	737	295
200	0.011	200	295	8x $\varnothing 23$	343	298.4	8x $\varnothing 22.2$	390	195	65	14	1/4"( $\varnothing 10$ )	1 1/8"	861	330
250	0.019	250	350	12x $\varnothing 23$	406	361.9	12x $\varnothing 25.4$	450	225	75	16	1/4"( $\varnothing 10$ )	1 1/8"	886	355
300	0.034	300	400	12x $\varnothing 23$	483	431.8	12x $\varnothing 25.4$	540	270	95	21	3/8"( $\varnothing 10$ )	1 1/8"	985	405
350	0.058	350	460	16x $\varnothing 23$	530	476.2	16x $\varnothing 28.6$	660	330	112	26	3/8"( $\varnothing 10$ )	1 1/8"	1028	440

Type DT	CC	$\varnothing OO$	Type SEW
150	895	120	RF37
175	875	120	RF37
200	1110	160	RF47
250	1085	160	RF47
300	1155	200	RF57
350	1315	200	RF67

\*\*Air purge connection

Note: We reserve the right to modify the dimensions without prior notice.