



AIRLOCK range of BVT - blow through Rotary Valves have been designed for Pneumatic Conveying the products in powder, granular and pellet form, particularly products having low bulk density & poor flowability.

A wide range of Rotary Valves are available for use in Dairy, Food, Chemical, Plastics, Pet Food and other dry bulk material.

The Rotary Valve is available in different sizes from 200 - 350 mm.

#### FEATURES :

- Enlarged inlet
- Maximum filling efficiency
- Minimum air leakage
- ATEX rated
- 10 bar pressure shock resistance
- Construction in Cast Iron and range of Stainless Steel
- Easy maintenance
- Outboard bearings, lubricated & sealed for life

#### DESIGN :

- Sizes from 200 to 350 mm
- DIN / ANSI / JIS drilling pattern
- Operating temperature 150 deg C
- Designed for Lean Phase conveying

#### OPTIONS :

- Chrome Coating
- Tungsten Carbide Coating
- Chain & Direct Drives
- Air Purge Glands
- Quick Release Rotor
- Inlet Restrictor
- Zero Speed Sensor
- Rotor Interference Sensor (RIS)
- High Temperature

#### APPLICATION :

- ❖ Pressure
- ❖ Vacuum

#### PRODUCT DETAILS

The Material of Construction of Rotary Valve comes with different material based on the execution.

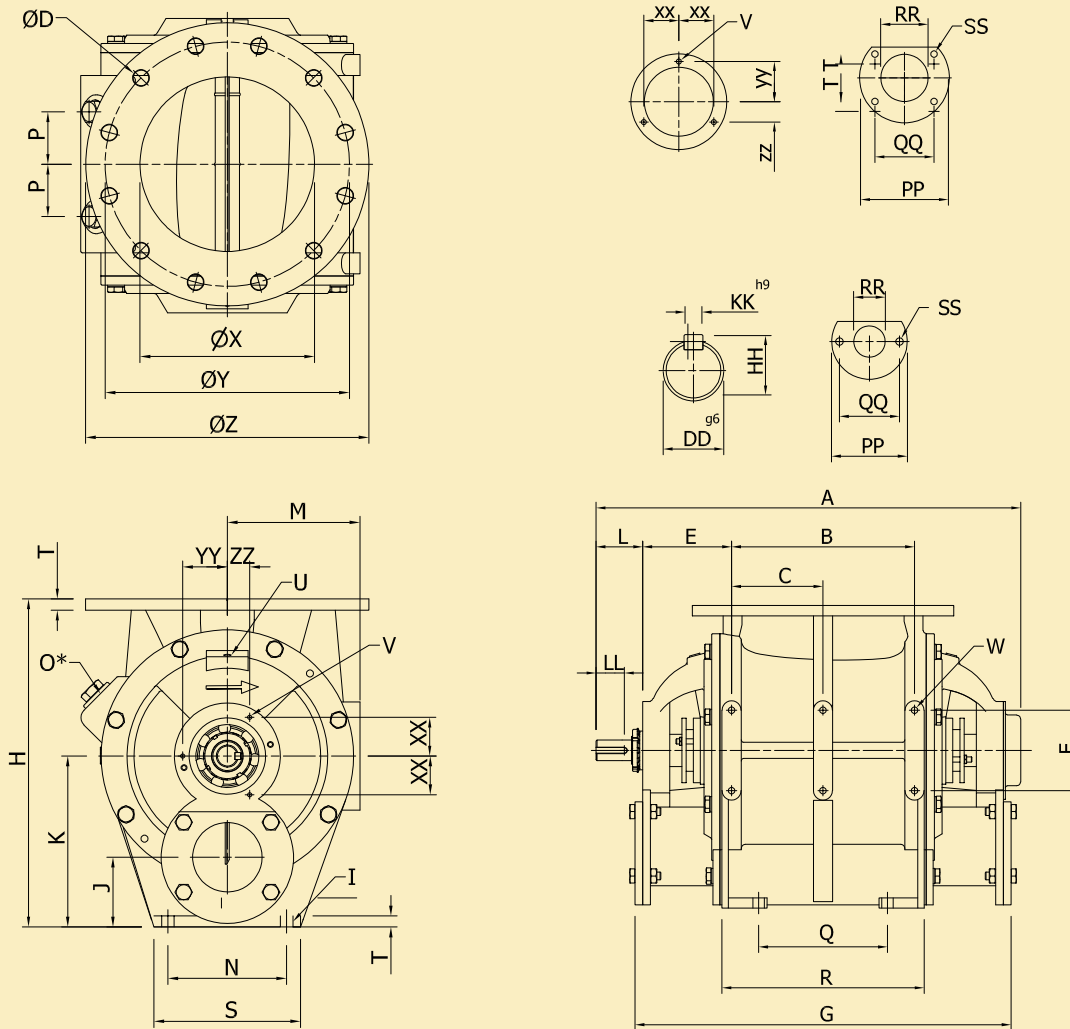
The standard Rotary Valve has 9 bladed rotor. Different configuration of rotor is available on need & request.

We provide different kind of shaft sealing depending upon the product and application.

The Rotary Valve is supplied with SEW drive as a standard and other drives are available on request.

# Rotary Valve

# BVT



Type BVT	Swept Volume	DIN				ANSI		A	B	C	E	F	G	H	I	J	K	L	M
	In M <sup>3</sup>	$\varnothing X$	$\varnothing Y$	$\varnothing D$	$\varnothing Z$	$\varnothing Y$	$\varnothing D$												
200	0.006	200	295	8x $\varnothing 23$	343	298.4	8x $\varnothing 22.2$	524	190	-	125	100	460	340	4x $\varnothing 14$	75	175	60	165
250	0.011	250	350	12x $\varnothing 23$	406	361.9	12x $\varnothing 25.4$	609	234	-	138	125	534	415	4x $\varnothing 18$	90	215	72	197.5
300	0.019	300	400	12x $\varnothing 23$	483	431.8	12x $\varnothing 25.4$	659	284	142	138	125	584	495	4x $\varnothing 18$	100	245	72	222.5
350	0.034	350	460	16x $\varnothing 23$	530	476.2	12x $\varnothing 28.6$	763	360	180	150	125	684	595	4x $\varnothing 23$	120	295	74	225

Type BVT	N	O* (BSP)	P	Q	R	S	T	U (BSP)	V	W	XX	YY	ZZ	DD	KK	HH	LL	PP	QQ	RR	TT	SS
200	130	1"	53	130	190	160	14	1/4"	3xM6	4xM10	37.1	52.5	37.1	30	8	33	35	140	103.9	65	60.4	4x $\varnothing 12$
250	160	1 1/4"	65	160	230	200	16	1/4"	3xM8	4xM12	55.4	64	32	32	10	35	43	170	114.7	80	80.3	4x $\varnothing 14$
300	170	1 1/4"	75	200	274	210	21	1/4"	3xM8	6xM12	55.4	64	32	32	10	35	43	190	125	100	100	4x $\varnothing 14$
350	190	1 1/2"	95	260	350	240	26	3/8"	3xM10	6xM12	73.6	85	42.5	38	10	41	44	230	163.8	125	114.7	4x $\varnothing 14$

All dimensions are in mm.

\*Vent holes pre - drilled & plugged for Cast Iron execution.

Note: We reserve the right to modify the dimensions without prior notice.