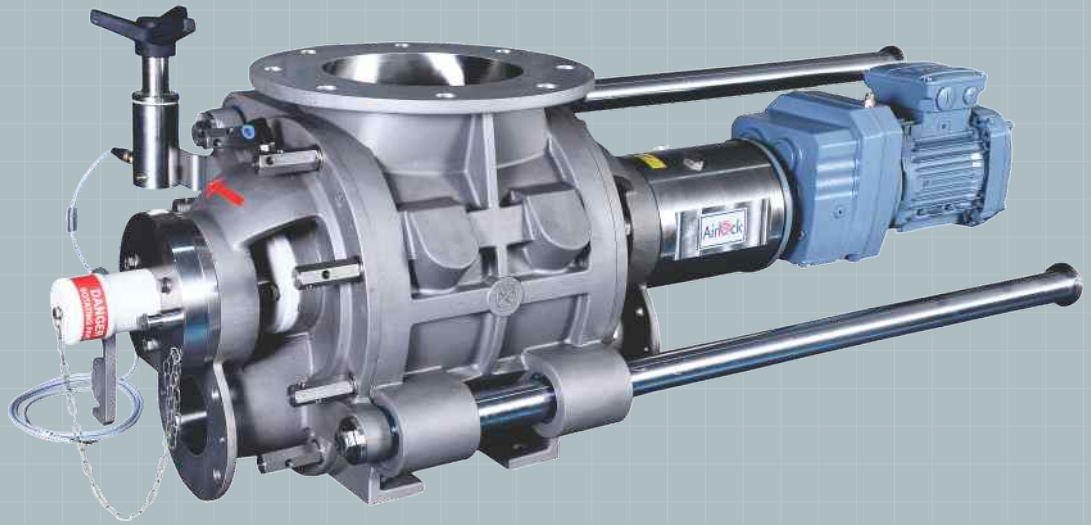


Rotary Valve

BT-DCSR



ROTARY VALVE

Our range of Blow through DCSR Rotary Valves has been designed for Pneumatic Conveying the products in powder, granular and pellet form.

A wide range of Rotary Valves are available for use in Dairy, Food, Pet Food, Pharmaceutical and other dry bulk material.

Rotary Valves come with easy detachable Rotor and End Cover to perform quick cleaning.

The **Rotary Valve** is available in different sizes from 150 - 350 mm.

FEATURES :

- Good throat opening and angle ensures maximum filling efficiency
- Reduced air leakage
- ATEX rated
- 10 bar pressure shock resistance
- USDA approval
- EHEDG approval
- Construction in Stainless Steel 316
- Supporting slide rails for easy removal of rotor and end cover
- Hygienic valve
- Increased safety at work
- Product contact surfaces are polished to 0.8 μm (150 grit) finish
- Dairy Sanitary Seals

OPTIONS :

- Chain & Direct Drives
- Air Purge Dairy
- No Speed Sensor
- Rotor Interference Sensor (RIS)
- High Temperature
- Product Contact Surface
- Polished to 0.4 μm

APPLICATION :

- ❖ Pressure
- ❖ Vacuum

DESIGN :

- Sizes from 150 to 350 mm
- DIN /ANSI /JIS drilling patterns
- Operating temperature up to 150 deg C. High temperature on request
- Designed for Lean Phase Conveying

PRODUCT DETAILS

Our Dairy Rotary Valves are supplied in Stainless Steel 316 material.

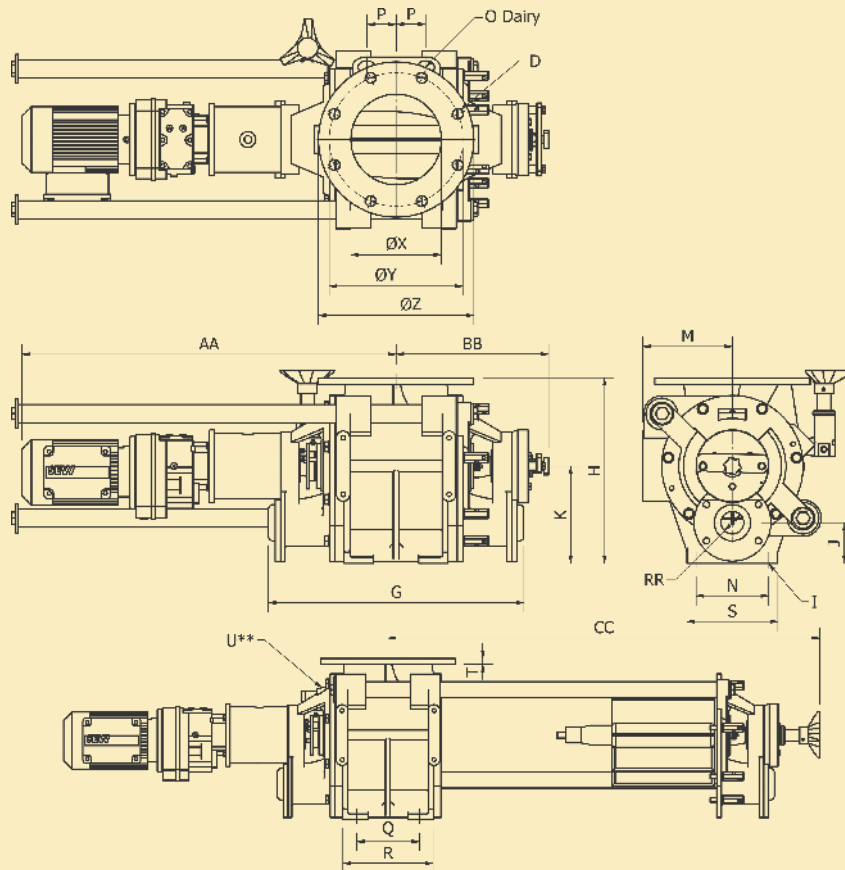
The standard Rotary Valve has fixed 8/9 bladed rotor with radiused pockets.

We Provide different kinds of shaft sealing depending upon the product and application.

The **Rotary Valve** is supplied with optional features like pressure regulator, flow meter and inlet restrictor if required for the application.

Rotary Valve

BT-DCSR



Type BT	Swept Volume	DIN				ANSI #150		H	I	J	K	MM	N	P	Q	R	S	T	U** (BSP)
	in M ³	$\varnothing X$	$\varnothing Y$	$\varnothing D$	$\varnothing Z$	$\varnothing Y$	$\varnothing D$												
150	0.003	150	240	8x $\varnothing 23$	285	241.3	8x $\varnothing 22.2$	295	4x $\varnothing 12$	65	155	356	110	40	100	154	140	12	1/4" ($\varnothing 10$)
175	0.006	175	270	8x $\varnothing 23$	315	-	-	340	4x $\varnothing 14$	75	175	385	130	53	130	190	160	14	1/4" ($\varnothing 10$)
200	0.011	200	295	8x $\varnothing 23$	343	298.4	8x $\varnothing 22.2$	410	4x $\varnothing 18$	90	215	459	160	65	160	230	200	14	1/4" ($\varnothing 10$)
250	0.019	250	350	12x $\varnothing 23$	406	361.9	12x $\varnothing 25.4$	470	4x $\varnothing 18$	100	245	479	170	75	200	274	210	16	1/4" ($\varnothing 10$)
300	0.034	300	400	12x $\varnothing 23$	483	431.8	12x $\varnothing 25.4$	565	4x $\varnothing 23$	120	295	527	190	95	260	350	240	21	3/8" ($\varnothing 10$)
350	0.058	350	460	16x $\varnothing 23$	530	476.2	12x $\varnothing 28.6$	665	4x $\varnothing 23$	132	335	572	220	112	310	410	270	26	3/8" ($\varnothing 10$)

Type BT	\varnothing Dairy (UNEF)	G Dairy	RR Dairy	G	RR(max)	AA	BB	CC
150	1 1/8"	465	35	420	50	717	275	895
175	1 1/8"	505	50	460	65	737	295	875
200	1 1/8"	575	50	535	80	861	330	1110
250	1 1/8"	625	70	585	100	886	355	1085
300	1 1/8"	685	100	685	125	970	405	1155
350	1 1/8"	755	125	755	150	1055	440	1315

**Air purge connection

All dimensions are in mm.

Note: We reserve the rights to modify the dimensions without prior notice.