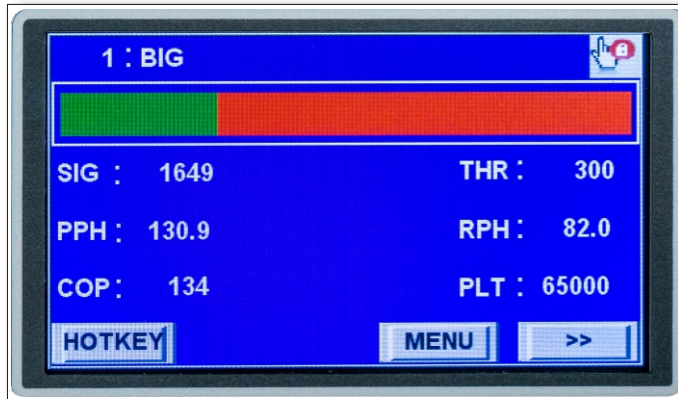
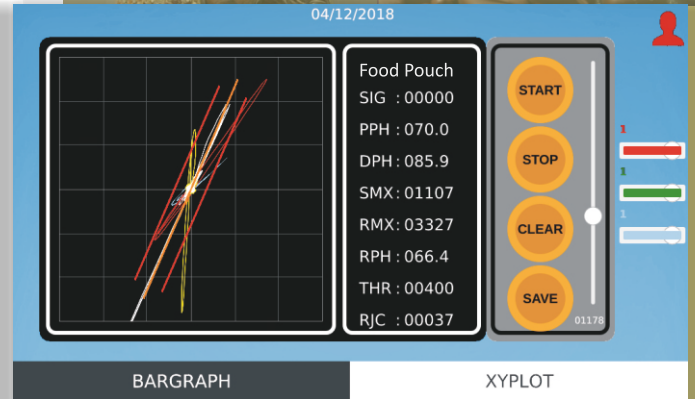


CONVEYORISED METAL DETECTOR

METALTRAP SS / GX MODELS



METALTRAP SS CONVEYOR



METALTRAP GX CONVEYOR



METALTRAP SS

- Sophisticated digital signal processing to detect minute metal particles in addition to phase Sensitive detection
- Bargraph and numeric display
- 4.5" HMI Display
- Statistical Data with event time stamping
- Diagnostics Available on LCD Display
- Buzzer and LED Indication on Detection of Metal Contamination
- Security Levels Provided
- LCD Bargraph / Numeric Display to Monitor Noise and Signal

METALTRAP GX

- Very High detection sensitivity
- Multilevel passwords
- 7" Touch Screen Display
- Intuitive graphical user interface
- Real time X-Y plot / Numerical + Graphical Display
- FDA 21 CFR Part 11 compliant
- Ethernet connectivity for data transfer
- Auto Product setting
- Finger print sensor (optional)
- Data can be stored upto 7 years
- SCADA / IIoT connectivity (optional)
- Live metal sample can be identified



TECHNOFOUR ELECTRONICS PVT. LTD.

www.teplindia.com

Metaltrap SS & GX are our next-generation highly sophisticated system with best in class features. Optimized coil design and operating frequency ensures very high sensitivity with minimal product/environment effect. Designed and manufactured to meet stringent requirement of industrial application.

SALIENT FEATURES

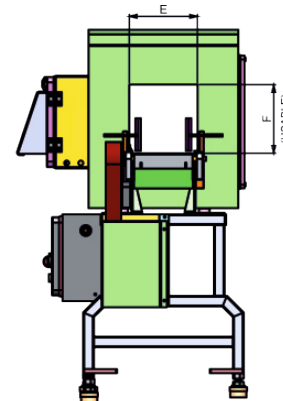
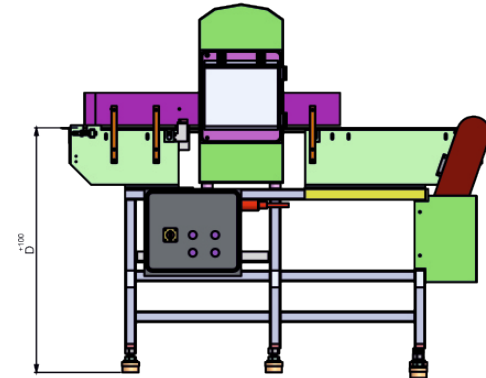
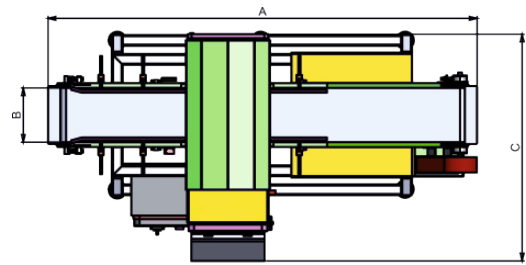
- Auto setting facility
- Sample E - signature
- Product auto-tracking
- Validation using prompt
- Continuous online self check monitoring system
- Digital control and signal processing
- Set parameter data retention on loss of power
- Buzzer on detection of metal contamination
- Validation using prompt
- Digital Gains and Filters for enhanced sensitivity
- Different type of Rejection mechanism depending on type & nature of product / pack
- Reject Time Stamping
- Product Count Stamping



IP 65 option available

GENERAL SPECIFICATION

- **Construction:** Stainless Steel / Mild Steel
- **Contacts for interlock:** Floating relay
- **Operating temperature:** 0 to 45°C ambient
- **Humidity:** Up to 95% relative humidity
- **Rejection Mechanism:** Conveyor stoppage, Air blow, Pusher, Diverter, conveyor Retractable, Flap
- **Other Attachment:** Various infeed mechanism like bottle separator, stabilizer, turn table etc. available



A	B	C	D	Coil Aperture (opening)	
				E (Width)	F (Height)
1560	75	620	900	100	50 - 250
1770	180	790	900	200	50 - 250
1800	250	1000	850	300	50 - 250
2000	450	1090	750	500	50 - 400
1810	800	1440	750	850	50 - 400
1530	1000	1670	1000	1080	35/50/75/100
1490	1300	1970	850	1380	35/50/75/100
1480	1600	2270	850	1680	35/50/75/100

* Customized coil sizes can be given on request.
All dimensions are in millimeter and for reference only, actual dimensions may vary depending upon the application.



TECHNOFOUR ELECTRONICS PVT. LTD.

Gat No.3(PT), 5(PT), 243(PT), Kasurdi (Kheba),
Khed Shivapur-Saswad Road, Post: Khed Shivapur,
Taluka: Bhore, District: Pune 412 205. Maharashtra, India.
Tel: 8888832057, 8888832194, + 91-2113-305200, 305246
Email: pcssales@tepl.co.in
Website: www.teplindia.com

* Due to continuous development, specifications subject to change without notice.